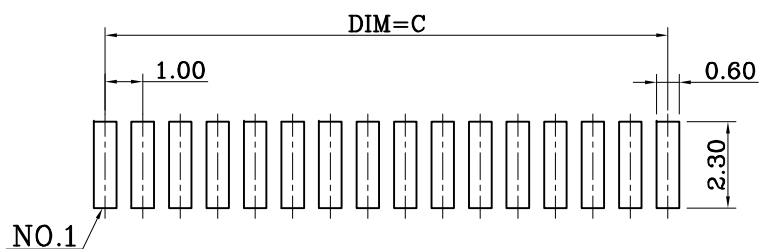
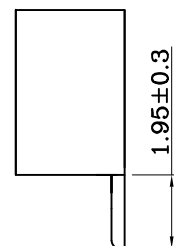
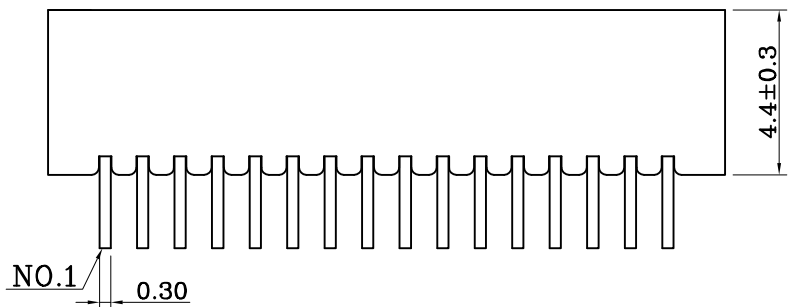
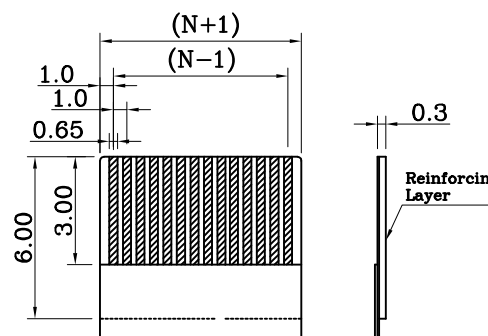


MATERIAL AND FINISH:

1. Housing: LCP (UL94V-0) Ivory
2. Contact: Phosphor Bronze, Sn Plated Over Nickel



RECOMMENDED P.C.B LAYOUT



RECOMMENDED FFC/FPC DIM.

PIN NO.	DIM=A	DIM=B	DIM=C
34P.	32.0	31.10	29.00
33P.	31.0	30.10	28.00
32P.	32.0	31.10	29.00
31P.	31.0	30.10	28.00
30P.	32.0	31.10	29.00
29P.	31.0	30.10	28.00
28P.	30.0	29.10	27.00
27P.	29.0	28.10	26.00
26P.	28.0	27.10	25.00
25P.	27.0	26.10	24.00
24P.	26.0	25.10	23.00
23P.	25.0	24.10	22.00
22P.	24.0	23.10	21.00
21P.	23.0	22.10	20.00
20P.	22.0	21.10	19.00
19P.	21.0	20.10	18.00
18P.	20.0	19.10	17.00
17P.	19.0	18.10	16.00
16P.	18.0	17.10	15.00
15P.	17.0	16.10	14.00
14P.	16.0	15.10	13.00
13P.	15.0	14.10	12.00
12P.	14.0	13.10	11.00
11P.	13.0	12.10	10.00
10P.	12.0	11.10	9.00
9P.	11.0	10.10	8.00
8P.	10.0	9.10	7.00
7P.	9.0	8.10	6.00
6P.	8.0	7.10	5.00
5P.	7.0	6.10	4.00
4P.	6.0	5.10	3.00

僅供參考

XIAN YI PRECISION CO., LTD.

祥益精密股份有限公司

TITLE / 品名: 1.0mm FPC Connector Non Zif RoHS

PART NO / 料號: F515X-XXP-XXXX

核準發行章

APPROVE / 核準	CHECKED / 審查	DRAWING / 繪圖	DRAWING NO / 圖號	UNIT / 單位	⊕	GENERAL TOLERANCE	NO.	REV / 版本	圖面僅供參考, 實際尺寸以承認圖為主	2011/03/02	日期
James	James	Chenrong		mm	SHEET 1 OF 1	X ±0.50 .X ±0.38 .XX ±0.20 .XXX ±0.10	1.0				